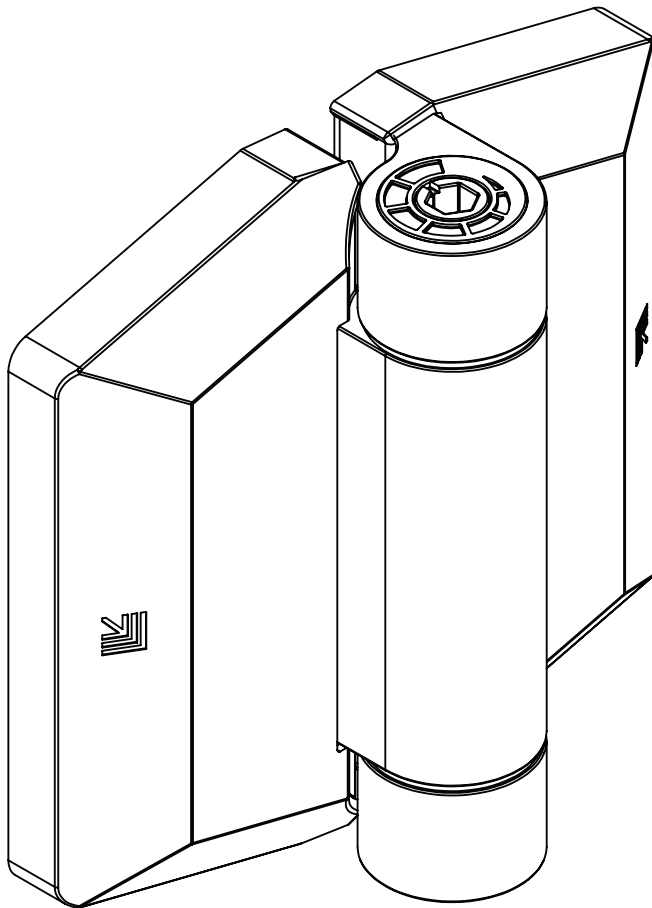


# 156 UTILITY HINGE

## SURFACE FIX



### 156 UTILITY HINGE


- SELF-CLOSING SAFETY HINGE FOR MANY FENCE TYPES
- NATA ACCREDITED AND INDEPENDENTLY TESTED TO 25 000 CYCLES (NATA = NATIONAL ASSOCIATION OF TESTING AUTHORITIES AUSTRALIA)

### FINISHES AND FUNCTIONS

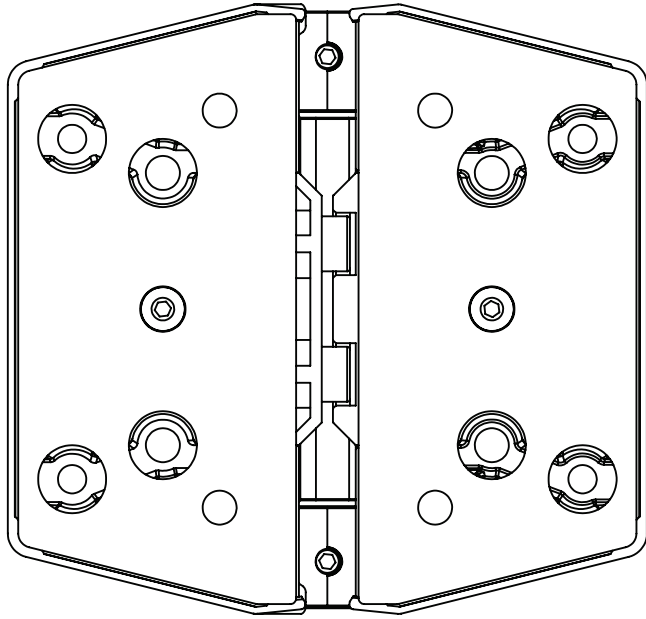
- 2205 GRADE STAINLESS STEEL
- FASTENER COVERS (PAINTABLE)
- SIMPLE *QUIK-ADJUST* RATCHET SYSTEM
- SINGLE ACTION
- SOFT CLOSE
- NON-HOLD OPEN

 TIMBER  
METAL

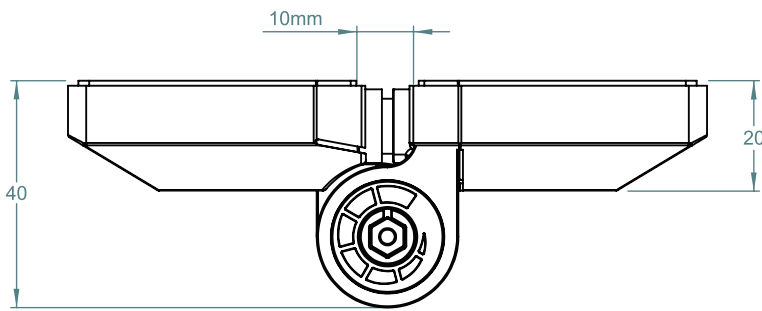
 MAX  
MAX 50kg

 - 10°C  
+ 50°C

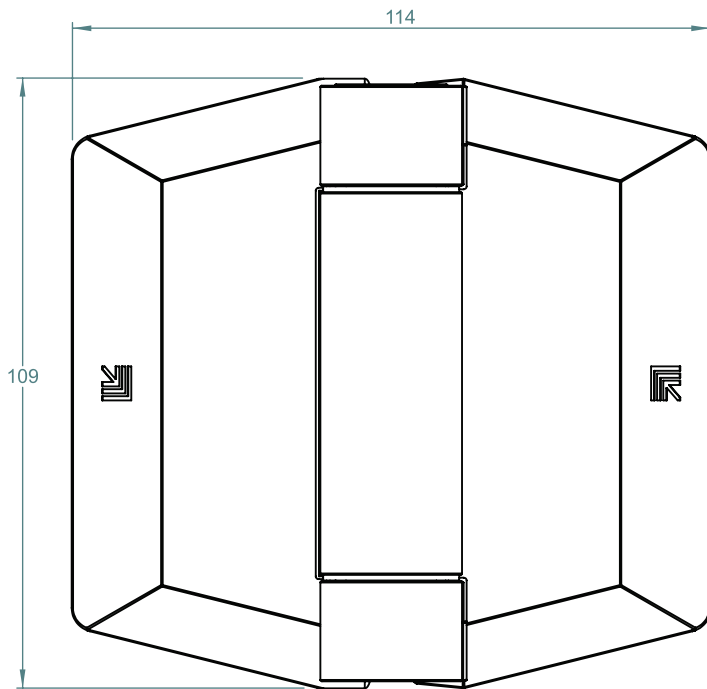
 180°



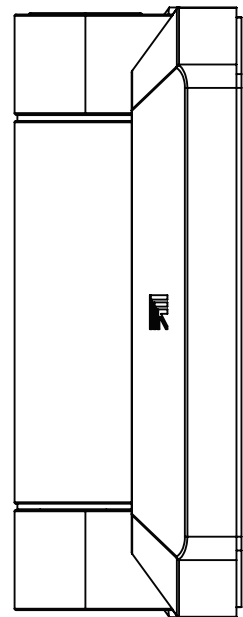
REAR VIEW



TOP VIEW



FRONT VIEW



SIDE VIEW

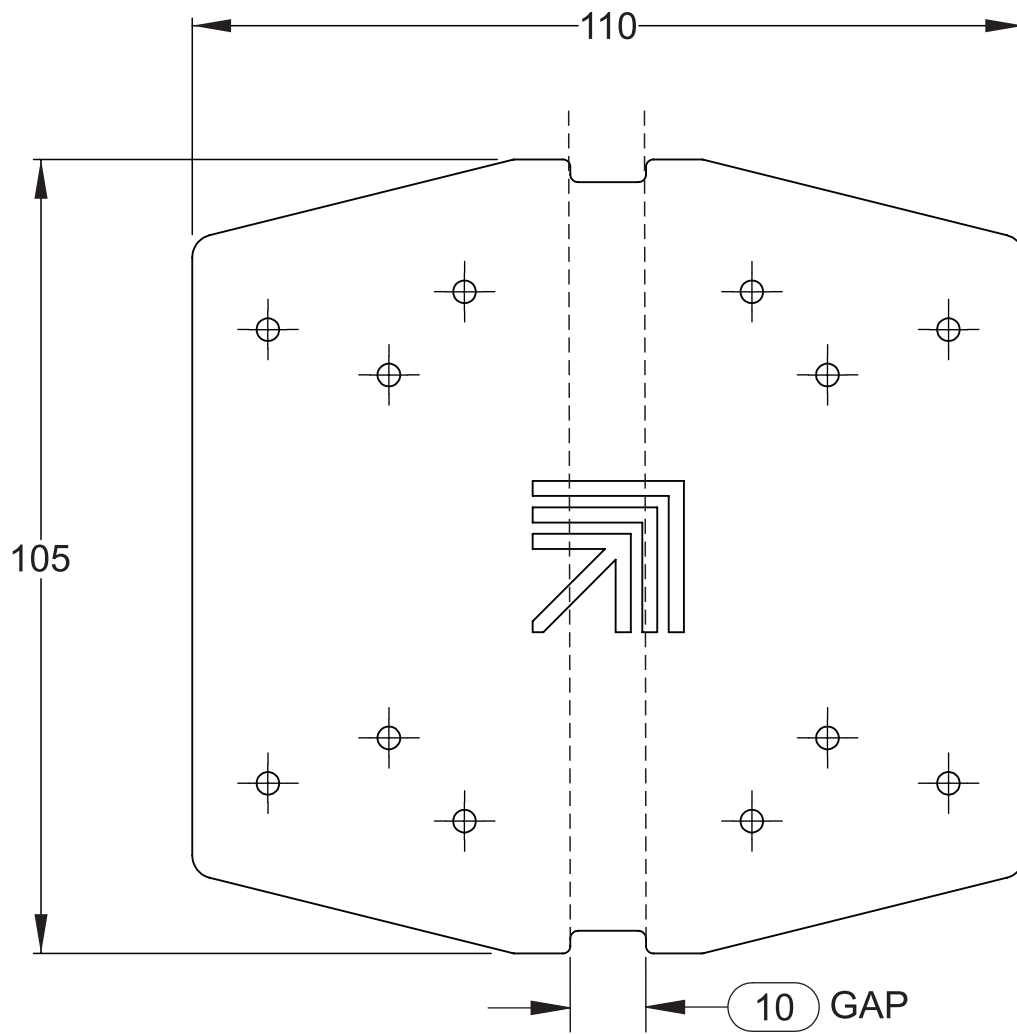
TO ORDER SPECIFY:

- 156SL STANDARD FINISH
- STAINLESS COVERS & VARIOUS ADAPTERS AVAILABLE SEPARATELY

# INSTALL TEMPLATE

## 156 HINGE

### SURFACE FIX



PILOT HOLE TEMPLATE  
(ALL DIMENSIONS IN MILLIMETERS)